

PN 16 FLANGED Y TYPE STRAINER (FAF 2500)



PRODUCT FEATURES

- Body and cover, GG 25 Cast Iron.
- Filter, 20 Mesh, SAE-304 Stainless Steel*.
- Strainer reinforcement SAE-304 Stainless Steel and designed as not to increase resistance coefficient (Kv).
- Valve mounting dimensions conform to DIN 3202 F1.
- Flanges are according to ISO 7005-2.

* Filters with different mesh values are used according to customer requests.

APPLICATIONS

Steam, natural gas, cold water, hot water and pressurized hot water installations, fluids without acidic or alkaline properties, LPG, chemical fluids, compressed air etc.

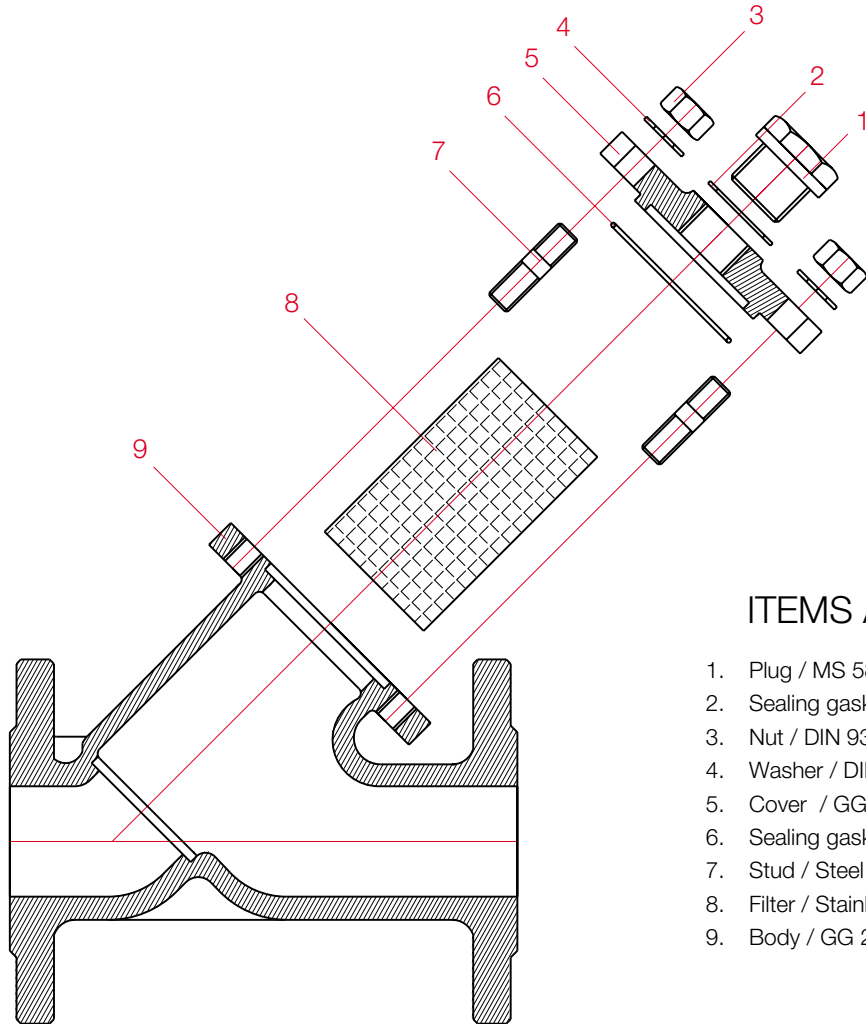
OPERATING TEMPERATURE

Max +200°C 392°F

Document No : KA-01
Revision Date : 11/11/2003
Revision No : 01

PN 16 Y TYPE STRAINER (FAF 2500)

TECHNICAL DRAWING AND MATERIALS



ITEMS AND MATERIALS

1. Plug / MS 58 Brass
2. Sealing gasket / PTFE
3. Nut / DIN 934
4. Washer / DIN 127
5. Cover / GG 25 Cast Iron
6. Sealing gasket (PTFE cord) / PTFE
7. Stud / Steel
8. Filter / Stainless steel SAE 304
9. Body / GG 25

MATERIAL PROPERTIES

MATERIAL TYPE	MATERIAL PROPERTY
GG 25 Cast Iron	Tensile strength = 250-350 N/mm ² Hardness = Max. 250 Brinell (BHN)
GGG 40 Ductile Iron	Tensile strength = 400-550 N/mm ² Hardness = 135 - 185 Brinell (BHN)
Stainless Steel DIN 1-4086	C = 0.9 - 1.3 Si Max.=2 Mn Max.=1 Cr = 27 - 30
Stainless Steel SAE-304	C max = 0.08 Si Max.=1 Mn Max.=2 Cr = 18-20 Ni = 8 - 10.5
Stainless Steel SAE-316	C max = 0.08 Si Max.=1 Mn Max.=2 Cr = 16-18 Ni = 10- 14
PTFE	Density= 2.13-2.23 gr/cm ³ Tensile strength = 250-300 kg/cm ² Operating Temperature = -85°C / +200°C 392° F
PTFE (25 % Carbon)	Density= 2.1-2.2 gr/cm ³ Tensile strength = 165-170 kg/cm ²
Graphitic Ring	Graphite purity = %98 Density= min. 1.6 gr/cm ³
St 37	C = <= 0.2 P Max.= 0.06 S Max.= 0.05 Tensile strength = 360-440 N/mm ²
Steel (Ç1030)	C = 0.30 P Max.= 0.06 S Max.= 0.06 Tensile strength = 490 N/mm ²

BOLT DIMENSIONS

DN	BOLT		NUT QUANTITY	TIGHTENING TORQUE (Kgm)	WRENCH OPENING (mm)
	DIMENSIONS	QUANTITY			
15	M 12 X 45	4 x 2	4 x 2	7	18
20	M 12 X 45	4 x 2	4 x 2	7	18
25	M 12 X 45	4 x 2	4 x 2	7	18
32	M 16 X 50	4 x 2	4 x 2	16	24
40	M 16 X 50	4 x 2	4 x 2	16	24
50	M 16 X 55	4 x 2	4 x 2	16	24
65	M 16 X 55	4 x 2	4 x 2	16	24
80	M 16 X 60	8 x 2	8 x 2	16	24
100	M 16 X 60	8 x 2	8 x 2	16	24
125	M 16 X 65	8 x 2	8 x 2	16	24
150	M 20 X 70	8 x 2	8 x 2	22.5	30
200	M 20 X 80	12 x 2	12 x 2	22.5	30
250	M 24 X 85	12 x 2	12 x 2	38	36

Note: Dimensions according to standard flanges

PN 16 FLANGED Y TYPE STRAINER MAINTENANCE INSTRUCTIONS

Follow the instructions below to perform maintenance and cleaning of FAF PN 16 Flanged Y Type Strainers.

DISMOUNTING :

- Make sure that there is no fluid supply on the line where the strainer is detached.
- Unscrew the nuts (3) on the strainer cover (5), remove the washers (4) and detach the cover from the body (9).
- Remove the filter (8) inside the body (9).

INSPECTION AND CLEANING :

- Clean the filter by spraying water or using a wire brush. If deformation, which may be caused by excessive residue accumulation, is observed, replace the filter with a new one.
- Clean the cover and inside of the body to remove the residue. Clean the gaskets surfaces on the body and the cover to remove old gasket particals.
- You may request a new cover gaskets (6) from our company or you may have 2 mm Klingirit gasket material cut according to the gasket seat.

MOUNTING :

- Locate the gasket (6) on the cover (5) and mount the filter (8) on its socket on the cover.
- Place the cover-filter block inside the body (9) as it will fit the filter hole.
- Eliminate the gaps by mounting washers (4) and nuts (3) and complete the mounting by screwing the nuts in opposite pairs.

PRESSURE / TEMPERATURE RATINGS FOR CAST IRON (GG 25) FLANGES
(REFERENCE ISO 7005-2 TABLE 16)

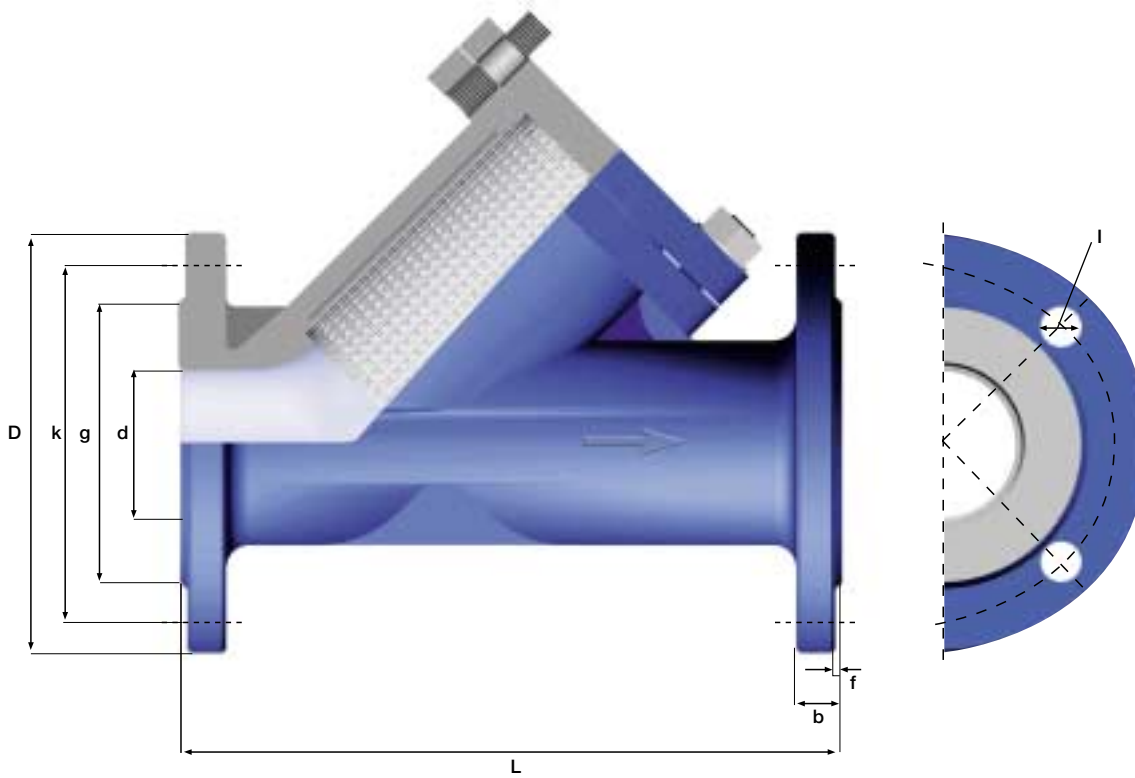
Pressure ISO PN	TEMPERATURE °C					
	-10 to 120	150	200	250	300	350
	Maximum operating pressure (bar)					
10	10	9,5	9	8	7	5,5
16	16	15,2	14,4	12,8	11,2	8,8
20	15,5	14,8	13,9	12,1	10,2	8,6
25	25	23,8	22,5	20	17,5	13,8
40	40	38	36	32	28	22
50	40,2	39	36	35	33	31

PRESSURE / TEMPERATURE RATINGS FOR DUCTILE IRON (GGG 40) FLANGES
(REFERENCE ISO 7005-2 TABLE 17)

Pressure ISO PN	TEMPERATURE °C						
	-10 to 40	120	150	200	250	300	350
	Maximum operating pressure (bar)						
10	10	10	9,7	9,2	8,7	8	7
16	16	16	15,5	14,7	13,9	12,8	11,2
20	17,5	15,5	14,8	13,9	12,1	10,2	8,6
25	25	25	24,3	23	21,8	20	17,5
40	40	40	38,8	36,8	34,8	32	28
50	44	40,2	39	36	35	33	31

PN 16 FLANGED Y TYPE STRAINER (FAF 2500)

DIMENSIONS AND PRODUCT DATA



FAF 2500 PN 16 Y TYPE STRAINER

DN	TS 3148 DIMENSIONS	FLANGE ACC. TO ISO 7005-2							PRODUCT DATA	
Ømm	L	d	g	k	D	I	b	f	Number of Holes	KVS m³/h
15	130	15	46	65	95	14	14	2	4	5
20	150	20	56	75	105	14	16	2	4	8
25	160	25	65	85	115	14	16	3	4	12
32	180	32	76	100	140	19	18	3	4	20
40	200	40	84	110	150	19	18	3	4	30
50	230	50	99	125	165	19	20	3	4	48
65	290	65	118	145	185	19	20	3	4	76
80	310	80	132	160	200	19	22	3	8	105
100	350	100	156	180	220	19	24	3	8	160
125	400	125	184	210	250	19	26	3	8	220
150	480	150	211	240	285	23	26	3	8	360
200	600	200	266	295	340	23	30	3	12	630
250	730	250	319	355	405	28	32	3	12	970