

**Design Radiators**  
**Villeroy & Boch by Zehnder**

Cinus / Cinus C  
Ovida / Ovida C  
Nobis



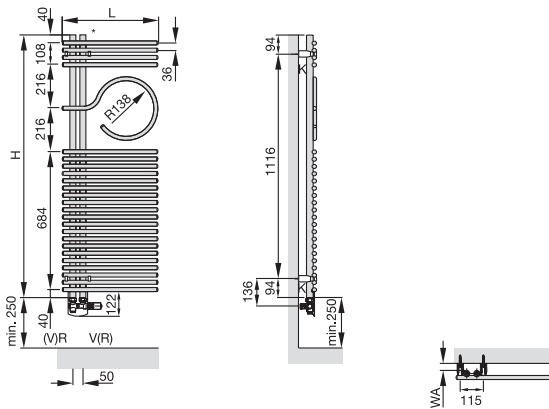
*My House of Villeroy & Boch*



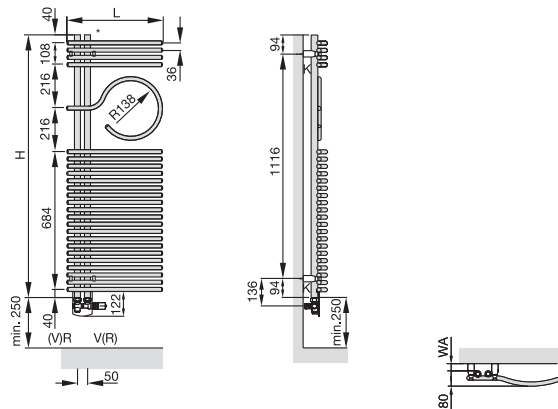
# Cinus / Cinus C

To complete your dream bathroom, Villeroy and Boch's designers have created towel radiators, produced by Zehnder, to match their bathroom worlds. The Cinus perfectly complements the style of the bathroom edition Pure Basic.

Cinus straight (Model with straight tubes)



Cinus Curved (Model with curved tubes)



Material: Steel

Operating pressure: up to 8.0 bar

Connection: From below, G 1/2"

Coating: V&B colours, Chrome plated

Cinus Models for closed heating systems:

Model	Overall height (mm)	Overall length (mm)	Heat capacity (W)	
			$\Delta T=50K$	$\Delta T=60K$
<b>RAL 9016</b>				
YA-130-050-VB	1304	478	476	600
YA-150-050-VB	1520	478	582	734
YA-170-050-VB	1736	478	686	866
<b>Chrome plated</b>				
YAC-130-050-VB	1304	478	347	437
YAC-150-050-VB	1520	478	425	536
YAC-170-050-VB	1736	478	501	633

Cinus Electric models

Model	Overall height (mm)	Overall length (mm)	Immersion Electric rating (W)
<b>RAL 9016</b>			
YE-170-050/ID	1826	478	600
<b>Chrome plated</b>			
YEC-170-50/ID	1826	478	500

Cinus C Models for closed heating systems:

Model	Overall height (mm)	Overall length (mm)	Heat capacity (W)	
			$\Delta T=50K$	$\Delta T=60K$
<b>RAL 9016</b>				
YAT-130-050-VB	1304	470	476	600
YAT-150-050-VB	1520	470	582	734
YAT-170-050-VB	1736	470	686	863
<b>Chrome plated</b>				
YATC-130-050-VB	1304	470	347	437
YATC-150-050-VB	1520	470	425	536
YATC-170-050-VB	1736	470	501	633

Cinus C Electric models

Model	Overall height (mm)	Overall length (mm)	Immersion Electric rating (W)
<b>RAL 9016</b>			
YET-170-050/ID	1826	470	600
<b>Chrome plated</b>			
YETC-170-050/ID	1826	470	500

# Ovida / Ovida C

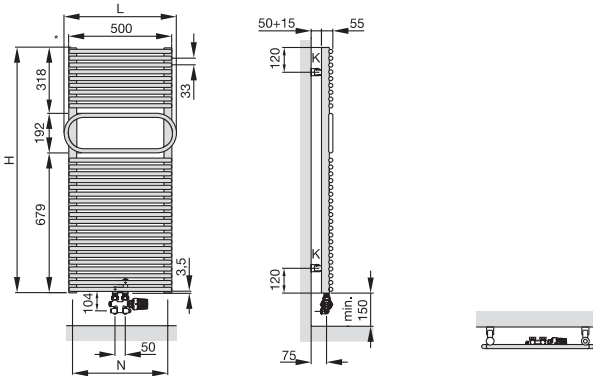


The finishing touch of every designer bathroom: the Ovida radiator, with its cross-connected heating tubes and one or two generous recesses for hand towels.

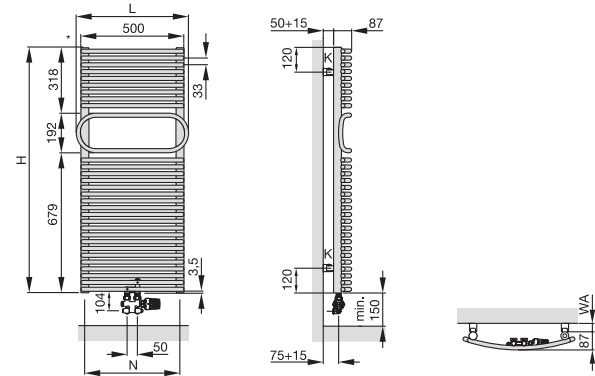
### Advantages

- Integration in the designer bathroom
- An appearance of relaxation thanks to the cross-connected tubes
- Generous recesses for hand towels
- Also available with a suitable Vario connecting fitting
- Mixed operation possible without T-pieces

### Ovida straight (Model with straight tubes)



### Ovida Curved (Model with curved tubes)



Material: Steel

Operating pressure: up to 8.0 bar

Connection: From below, G 1/2"

Coating: V&B colours, Chrome plated

### Ovida Models for closed heating systems:

Model	Overall height (mm)	Overall length (mm)	Heat capacity (W)	
			$\Delta T=50K$	$\Delta T=60K$
<b>RAL 9016</b>				
SK-120-050-VB5	1189	545	670	838
SK-150-050-VB5	1486	545	786	987
SK-180-050-VB5	1783	545	958	1205
<b>Chrome plated</b>				
SKO-120-050-VB5	1189	545	501	633
SKO-150-050-VB5	1486	545	588	743
SKO-180-050-VB5	1783	545	716	904

### Ovida Electric models

Model	Overall height (mm)	Overall length (mm)	Immersion Electric rating (W)
<b>RAL 9016</b>			
SKE-150-050/ID	1575	545	750
<b>Chrome plated</b>			
SKOE-150-050/ID	1575	545	500

### Ovida C Models for closed heating systems:

Model	Overall height (mm)	Overall length (mm)	Heat capacity (W)	
			$\Delta T=50K$	$\Delta T=60K$
<b>RAL 9016</b>				
CK-120-050-VB5	1189	543	670	838
CK-150-050-VB5	1486	543	786	987
CK-180-050-VB5	1783	543	958	1205
<b>Chrome plated</b>				
CKO-120-050-VB5	1189	543	501	633
CKO-150-050-VB5	1486	543	588	743
CKO-180-050-VB5	1783	543	716	904

### Ovida C Electric models

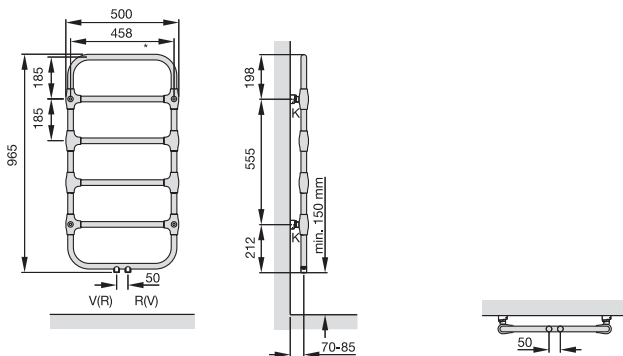
Model	Overall height (mm)	Overall length (mm)	Immersion Electric rating (W)
<b>RAL 9016</b>			
CKE-150-50/ID	1575	543	750
<b>Chrome plated</b>			
CKOE-150-050/ID	1575	543	500

Radiators like the Zehnder Nobis are new and unique! The large distance between the heating pipes not only gives character, but also functionality. The Zehnder Nobis fits particularly well in the classical style bathroom.

#### Advantages

- Extravagance for the classical style bathroom
- Matching the classic series from Villeroy & Boch
- High-quality chrome plating
- 50 mm connection
- Gracious looks
- Ideal for hanging hand towels

Nobis straight (Model with straight tubes)



Material: Brass

Operating pressure: up to 12 bar

Connection: From below, G 1/2"

Coating: Chrome plated

Nobis Models for closed heating systems:

Model	Overall height (mm)	Overall length (mm)	Heat capacity (W)	
			$\Delta T=50K$	$\Delta T=60K$
<b>Chrome plated</b>				
<b>NOB-100-050</b>	965	500	210	266
<b>NOB-150-050</b>	1520	500	325	412



Zehnder Group  
Export Division  
Information Office  
Almweg 34  
D-77933 Lahr  
Tel. +49 (0) 7821 586 392  
Fax +49 (0) 7821 586 406  
zehnderexport@zehndergroup.com  
www.zehnder.eu



Zehnder Group  
Export Division  
Information Office  
7, rue Jean Mermoz  
F-91031 Evry Cedex  
Tél 33 1 69 36 16 15  
Fax 33 1 69 36 15 33  
export@zehndergroup.com  
www.zehnder.eu